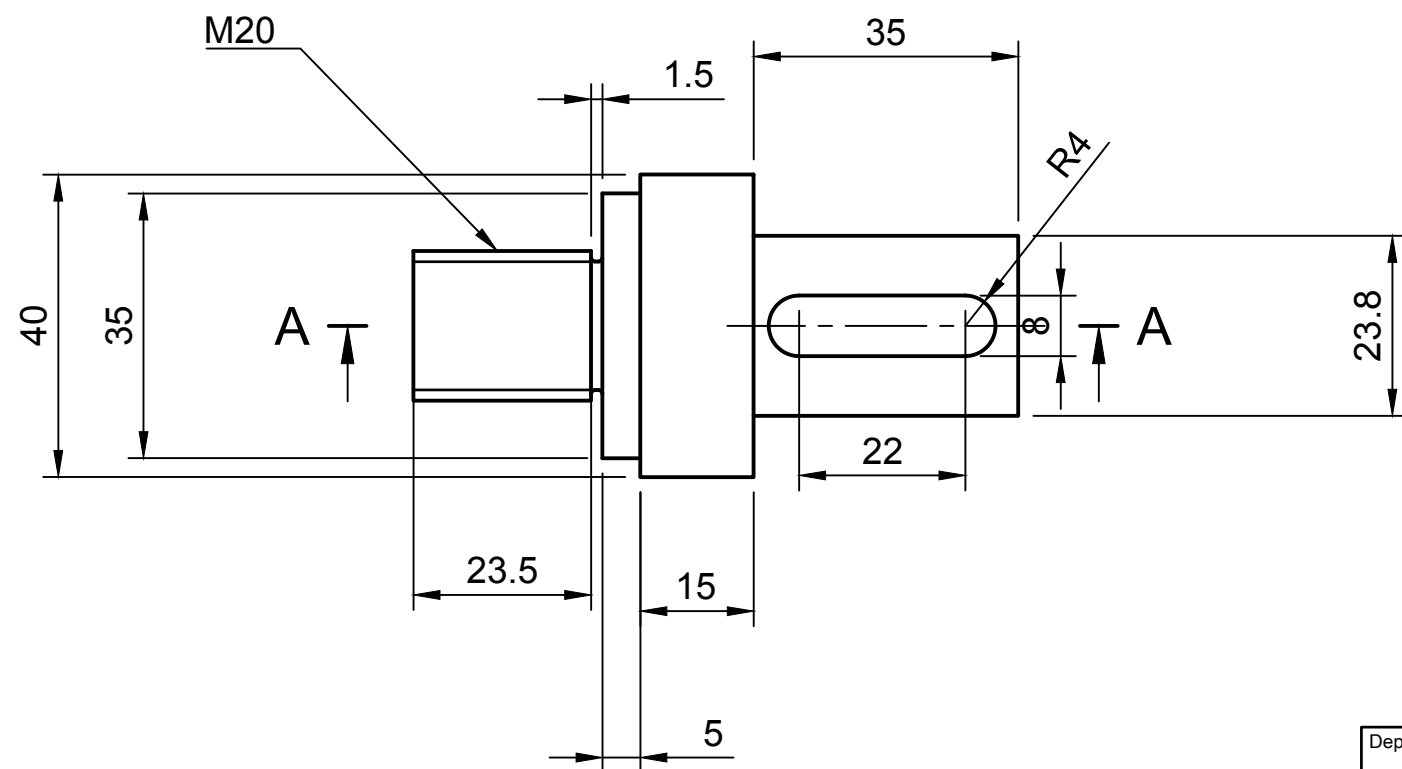
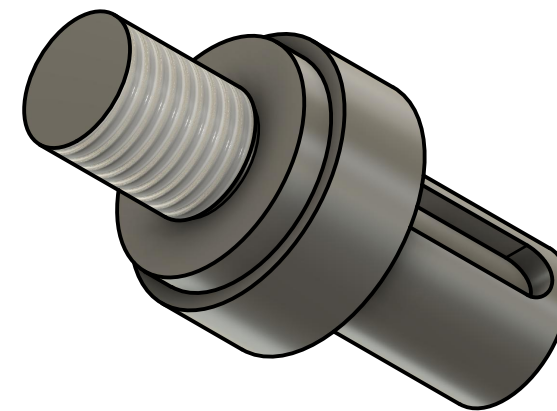
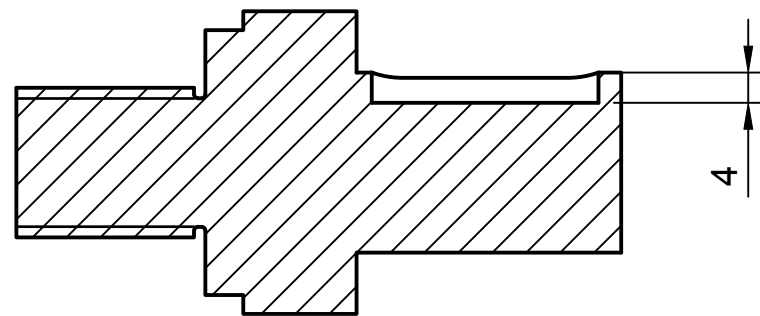
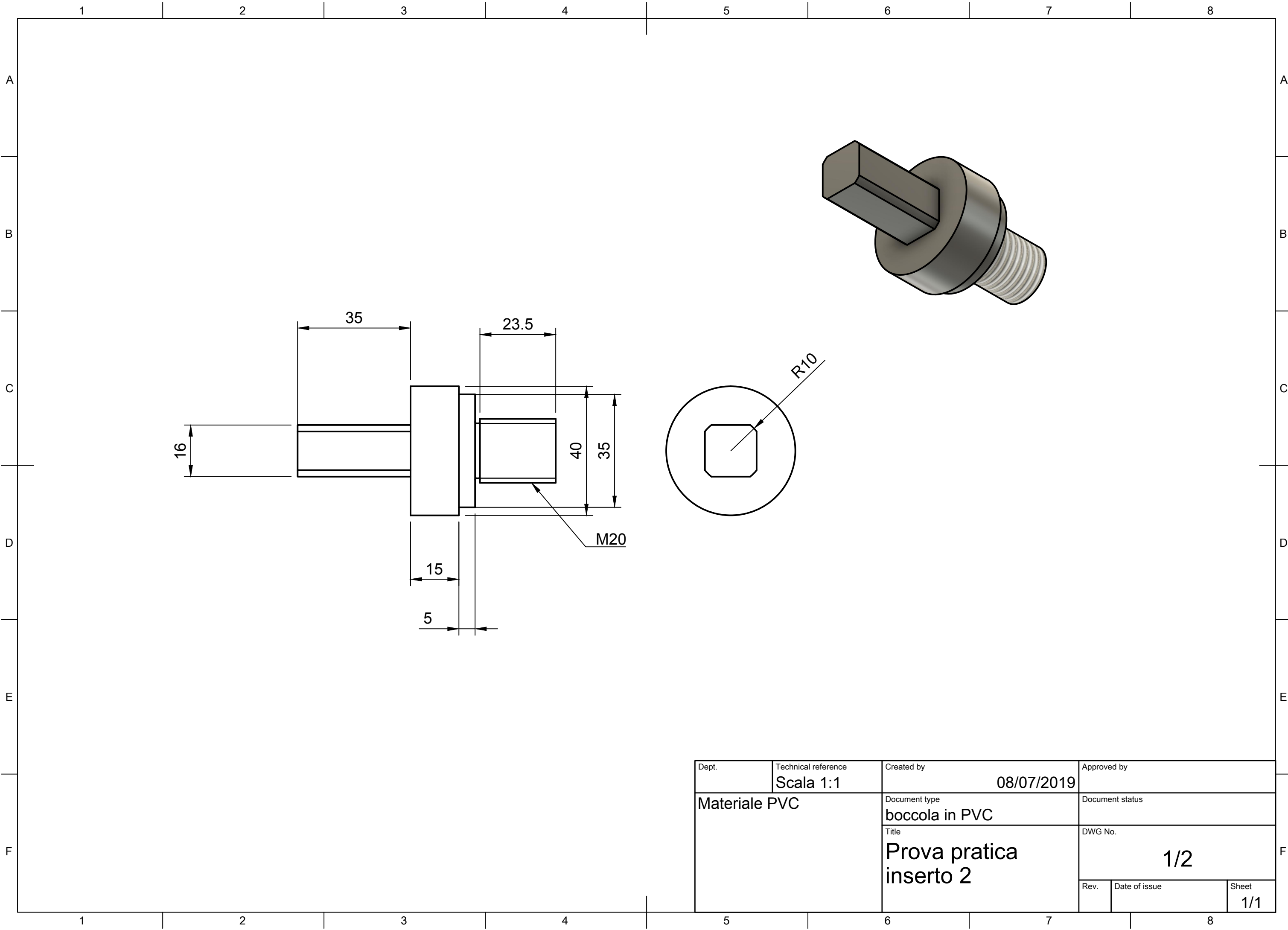


A-A (1:1)

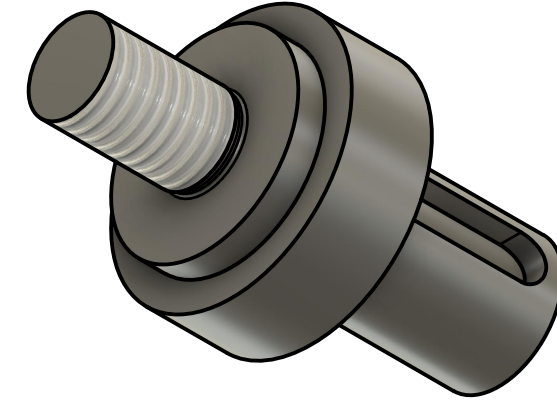
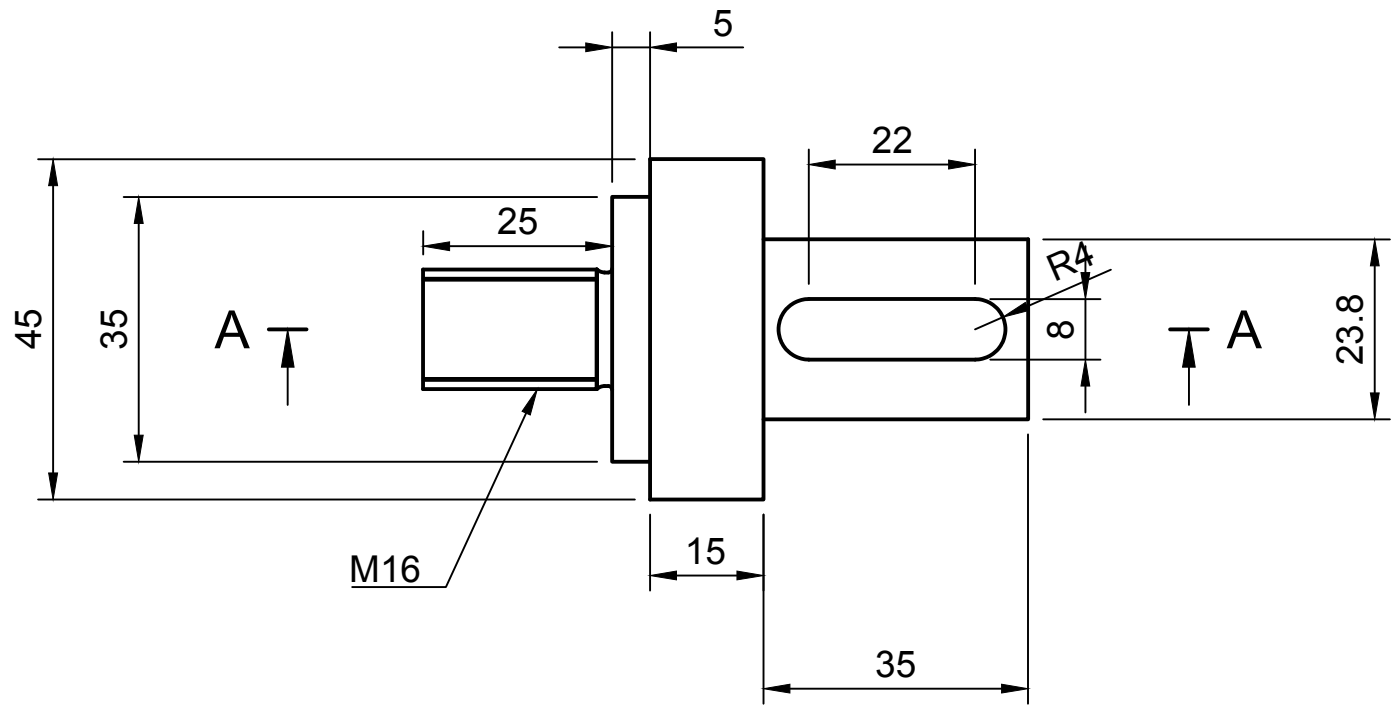
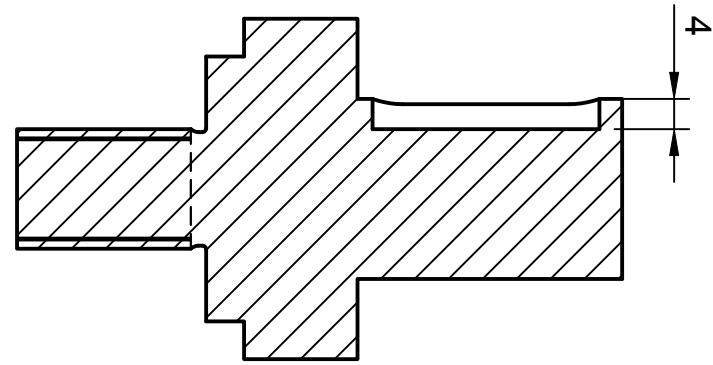


Dept.	Technical reference Scala 1:1	Created by 08/07/2019	Approved by
Materiale PVC		Document type boccola in PVC	Document status
		Title prova pratica inserto 1	DWG No. 1/3
		Rev.	Date of issue Sheet 1/1



Dept.	Technical reference Scala 1:1	Created by 08/07/2019	Approved by
Materiale PVC	Document type boccola in PVC	Document status	
	Title Prova pratica inserto 2	DWG No. 1/2	
	Rev.	Date of issue	Sheet 1/1

A-A (1:1)



Dept.	Technical reference Scala 1:1	Created by 08/07/2019	Approved by
Materiale PVC		Document type boccola in PVC	Document status
		Title prova pratica inserto 3	DWG No. 3/3
		Rev.	Date of issue Sheet 1/1